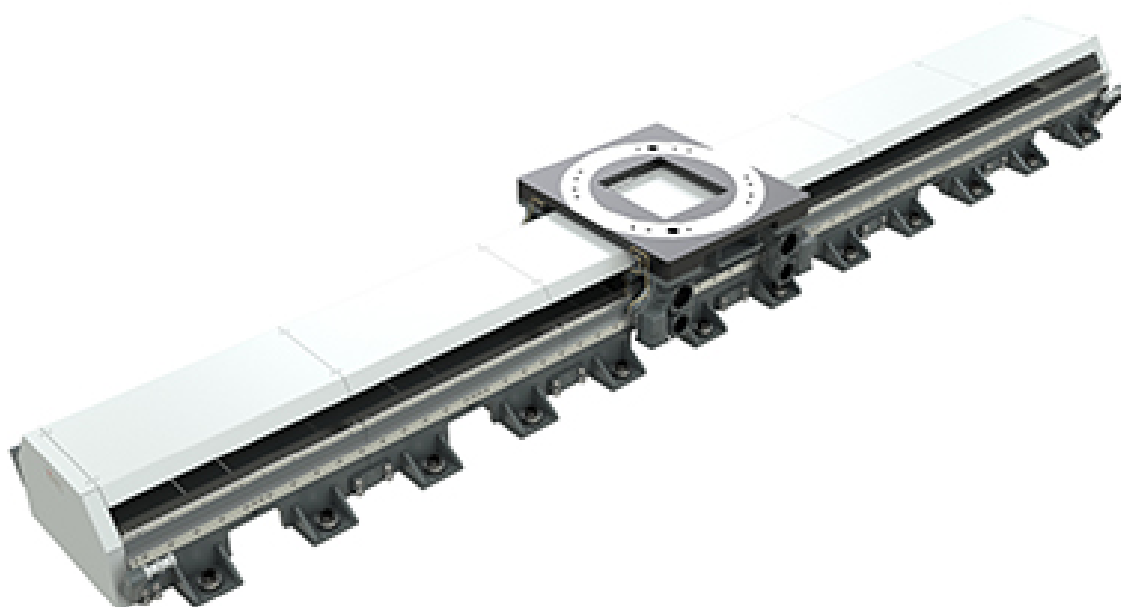


ROBOTICS

Product manual, spare parts

IRT 710



Trace back information:
Workspace Systems version a36
Checked in 2022-12-20
Skribenta version 5.5.019

Product manual, spare parts

IRT 710

IRC5

Document ID: 3HKA00000189761-001

Revision: A

The information in this manual is subject to change without notice and should not be construed as a commitment by ABB. ABB assumes no responsibility for any errors that may appear in this manual.

Except as may be expressly stated anywhere in this manual, nothing herein shall be construed as any kind of guarantee or warranty by ABB for losses, damage to persons or property, fitness for a specific purpose or the like.

In no event shall ABB be liable for incidental or consequential damages arising from use of this manual and products described herein.

This manual and parts thereof must not be reproduced or copied without ABB's written permission.

Keep for future reference.

Additional copies of this manual may be obtained from ABB.

Original instructions.

© Copyright 2022 ABB. All rights reserved.
Specifications subject to change without notice.

Table of contents

Overview of this manual	7
Product documentation	9
1 Spare parts and exploded views	11
1.1 Spare parts - carriage parts	12
1.1.1 Drive parts	12
1.1.2 Cam roller unit parts	13
1.1.3 Scraper unit parts	14
1.1.4 Calibration kit parts	15
1.1.5 Lubrication parts	16
1.2 Spare parts - track parts	17
1.2.1 Track parts	17
1.2.2 Cover parts	20
1.3 Spare parts - cable chain parts	21
1.3.1 Cable chain parts	21
1.3.2 Cable chain cover parts	23
1.4 Spare parts - tool parts	24
1.4.1 Reducer uninstall tool unit	24
1.4.2 Reducer backlash adjust tool	26
1.4.3 Cam roller adjust tool	28
1.4.4 Rack mounting block	29
1.4.5 Rack clamps	30
1.4.6 Levelling tool	31
1.4.7 Tool for levelling screw nut tightening	32
1.4.8 Calibration tool 12 mm	33
1.4.9 Calibration pin 12 mm	34
1.4.10 Roller support block	35
1.4.11 Rail tool	36
1.5 Spare parts - electrical parts	37
1.5.1 Spare parts - SMB boxes	38
1.5.2 Spare parts - Motor cables	39
1.5.3 Spare parts - Customer cables	44
1.5.4 Spare parts - Lubrication cables	48
1.5.5 Spare parts - Grounding cables	49

This page is intentionally left blank

Overview of this manual

About this manual

This manual contains instructions for:

- mechanical and electrical installation of the IRT 710
- maintenance of the IRT 710
- mechanical and electrical repair of the IRT 710

The robot described in this manual has the following protection types:

- *Standard*
-

Product manual scope

The manual covers all variants and designs of the IRT 710. Some variants and designs may have been removed from the business offer and are no longer available for purchase.

Usage

This manual should be used during:

- installation and commissioning, from lifting the product to its work site and securing it to the foundation, to making it ready for operation
- maintenance work
- repair work
- decommissioning work



Note

It is the responsibility of the integrator to conduct a risk assessment of the final application.

It is the responsibility of the integrator to provide safety and user guides for the robot system.

Who should read this manual?

This manual is intended for:

- installation personnel
 - maintenance personnel
 - repair personnel.
-

Prerequisites

A maintenance/repair/installation craftsman working with an ABB robot must:

- be trained by ABB and have the required knowledge of mechanical and electrical installation/repair/maintenance work.
 - be trained to respond to emergencies or abnormal situations.
-

Continues on next page

Overview of this manual

Continued

References

Documentation referred to in the manual, is listed in the table below.

Document name	Document ID
Product Manual - IRT 710	3HKA00000186299
<i>Product manual - IRC5</i>	<i>3HAC021313-001</i>
Operating manual - IRC5 with FlexPendant	3HAC16590-1
Service Information System - IRC5	3HAC025709-001
Application manual - Additional axes and stand alone controller	3HAC021395-001
<i>Technical reference manual - System parameters</i>	<i>3HAC050948-001</i>
IRB 7600 product manual	3HAC056372-001
IRB 6650 product manual	3HAC055424-001
IRB 6700 product manual	3HAC044270-001
IRB 760 product manual	3HAC039838-001
IRB 660 product manual	3HAC025755-001
IRB 4600 product manual	3HAC033453-001
IRB 4400 product manual	3HAC022032-001
IRB 460 product manual	3HAC039842-001

Revisions

Revision	Description
A	First edition.

Product documentation

Categories for user documentation from ABB Robotics

The user documentation from ABB Robotics is divided into a number of categories. This listing is based on the type of information in the documents, regardless of whether the products are standard or optional.



Tip

All documents can be found via myABB Business Portal, www.abb.com/myABB.

Product manuals

Manipulators, controllers, DressPack/SpotPack, and most other hardware is delivered with a **Product manual** that generally contains:

- Safety information.
- Installation and commissioning (descriptions of mechanical installation or electrical connections).
- Maintenance (descriptions of all required preventive maintenance procedures including intervals and expected life time of parts).
- Repair (descriptions of all recommended repair procedures including spare parts).
- Calibration.
- Troubleshooting.
- Decommissioning.
- Reference information (safety standards, unit conversions, screw joints, lists of tools).
- Spare parts list with corresponding figures (or references to separate spare parts lists).
- References to circuit diagrams.

Technical reference manuals

The technical reference manuals describe reference information for robotics products, for example lubrication, the RAPID language, and system parameters.

Application manuals

Specific applications (for example software or hardware options) are described in **Application manuals**. An application manual can describe one or several applications.

An application manual generally contains information about:

- The purpose of the application (what it does and when it is useful).
- What is included (for example cables, I/O boards, RAPID instructions, system parameters, software).
- How to install included or required hardware.
- How to use the application.

Continues on next page

- Examples of how to use the application.

Operating manuals

The operating manuals describe hands-on handling of the products. The manuals are aimed at those having first-hand operational contact with the product, that is production cell operators, programmers, and troubleshooters.

1 Spare parts and exploded views

Spare part level

ABB spare parts are categorized into two levels, L1 and L2. Always check the part level before conducting a service work on a spare part.

- L1 spare parts

The L1 parts can be replaced in the field. The maintenance and replacement instructions given in the related product manuals must be strictly followed. If there are any problems, contact your local ABB for support.

- L2 spare parts

To replace the L2 parts require specialized training and might need special tools. Only ABB field service personnel or qualified personnel trained by ABB can replace L2 parts.

Continues on next page

1 Spare parts and exploded views

1.1.1 Drive parts

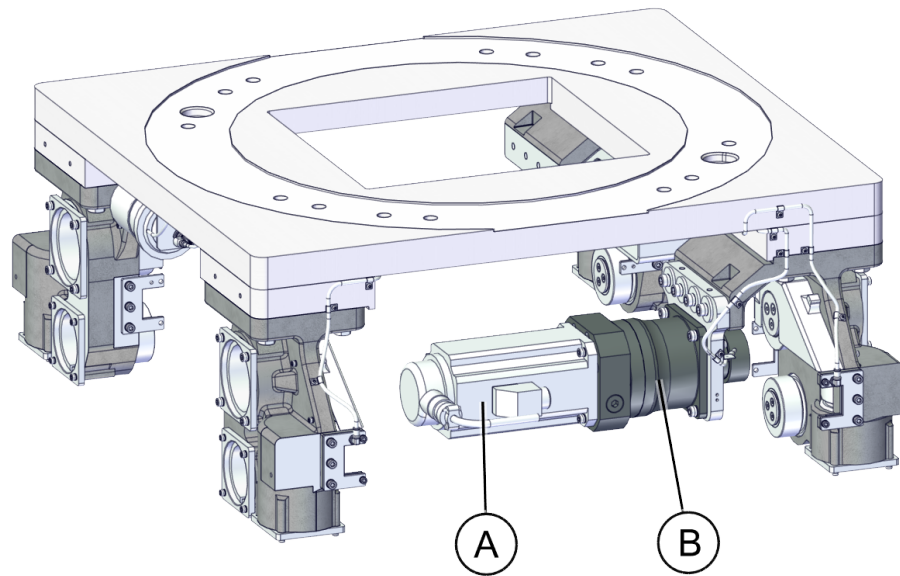
1.1 Spare parts - carriage parts

1.1.1 Drive parts

Spare part list

	Spare part number	Description	Spare part level
A	3HKA00000186481	Motor	
B	3HKA00000186306	Reducer	

Spare part illustration



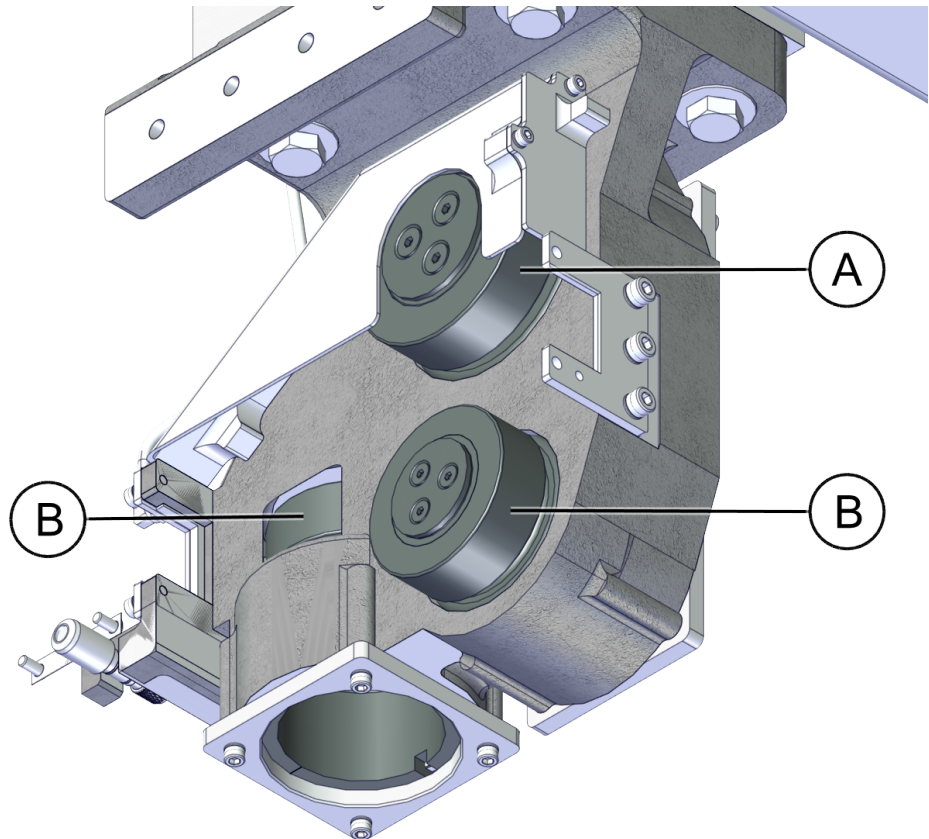
xx2200000615

1.1.2 Cam roller unit parts

Spare part list

	Spare part number	Description	Spare part level
A	3HKA00000186268	110MM Cam roller holder unit	
B	3HKA00000186275	90MM Cam roller holder unit	

Spare part illustration



xx220000630

1 Spare parts and exploded views

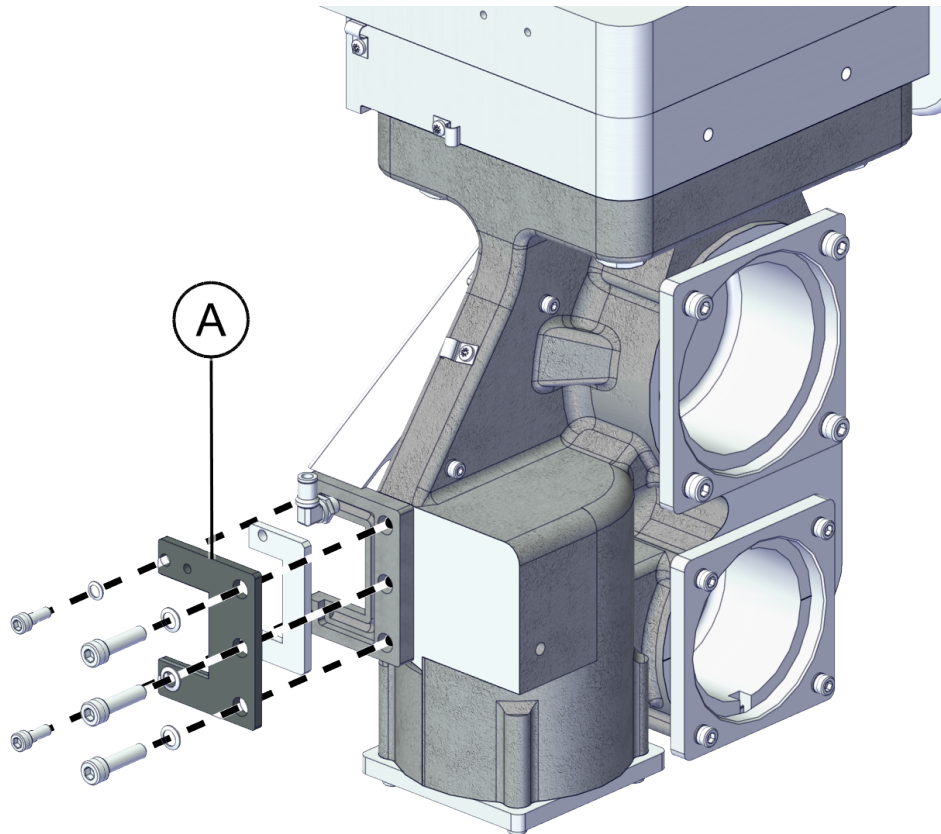
1.1.3 Scraper unit parts

1.1.3 Scraper unit parts

Spare part list

	Spare part number	Description	Spare part level
A	3HKA00000186288	Scraper	
-	3HKA00000189959	Scraper kit	

Spare part illustration



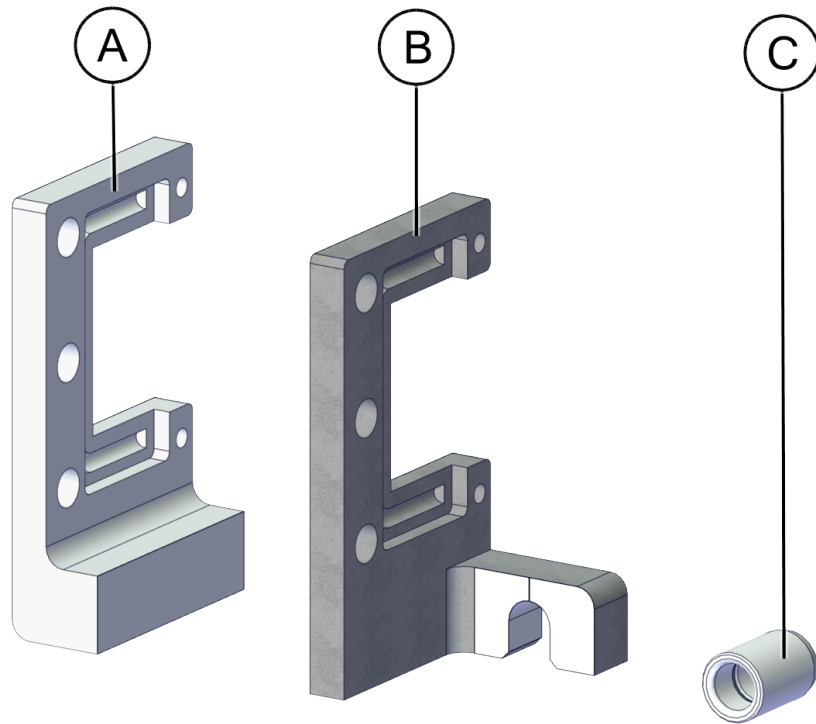
xx2200001163

1.1.4 Calibration kit parts

Spare part list

	Spare part number	Description	Spare part level
A	3HKA00000190635	Axial calibration kit	
-	3HKA00000190636	Mirrored axial calibration kit	
B	3HKA00000190637	Pin calibration kit	
-	3HKA00000190638	Mirrored pin calibration kit	
C	3HAC052993-001	Calibration bushing	

Spare part illustration



xx2200001164

1 Spare parts and exploded views

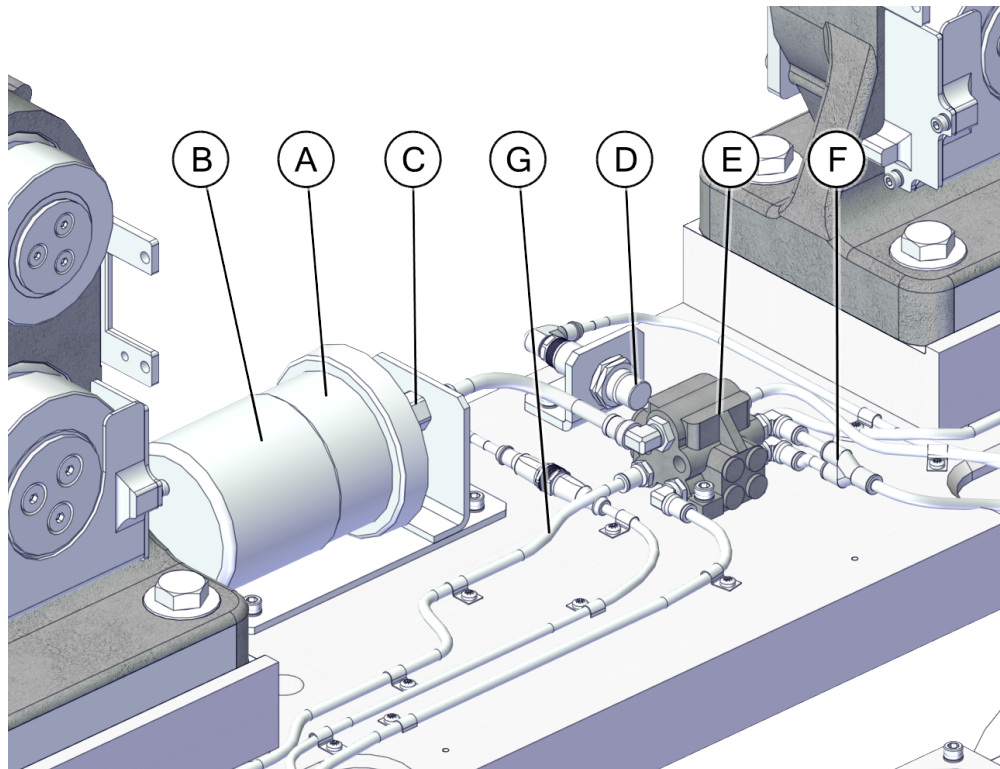
1.1.5 Lubrication parts

1.1.5 Lubrication parts

Spare part list

	Spare part number	Description	Spare part level
A	3HAW060012002	Grease pump EPS 24VDC MEGA	
	3HAWC114278	Grease pump HPS MEGA	
B	3HKA00000191156	240cc grease cartridge PD0-240	
	3HAWC116978	240cc grease cartridge and battery	
C	3HAWL000050	Adjustment washer	
D	3HAW050040467	Grease detection sensor	
E	3HAWC116979	Distributor 6 ways	
F	3HAWC102542	Y fitting $\varnothing 6\text{-}\varnothing 6$	
G	3HAWC116982	Polyamide tube 6x8 L=0.3M 1025 U08 R01	
	3HAWC116981	Polyamide tube 4x6 L=8M 1025P06 00	

Spare part illustration



xx2200000820

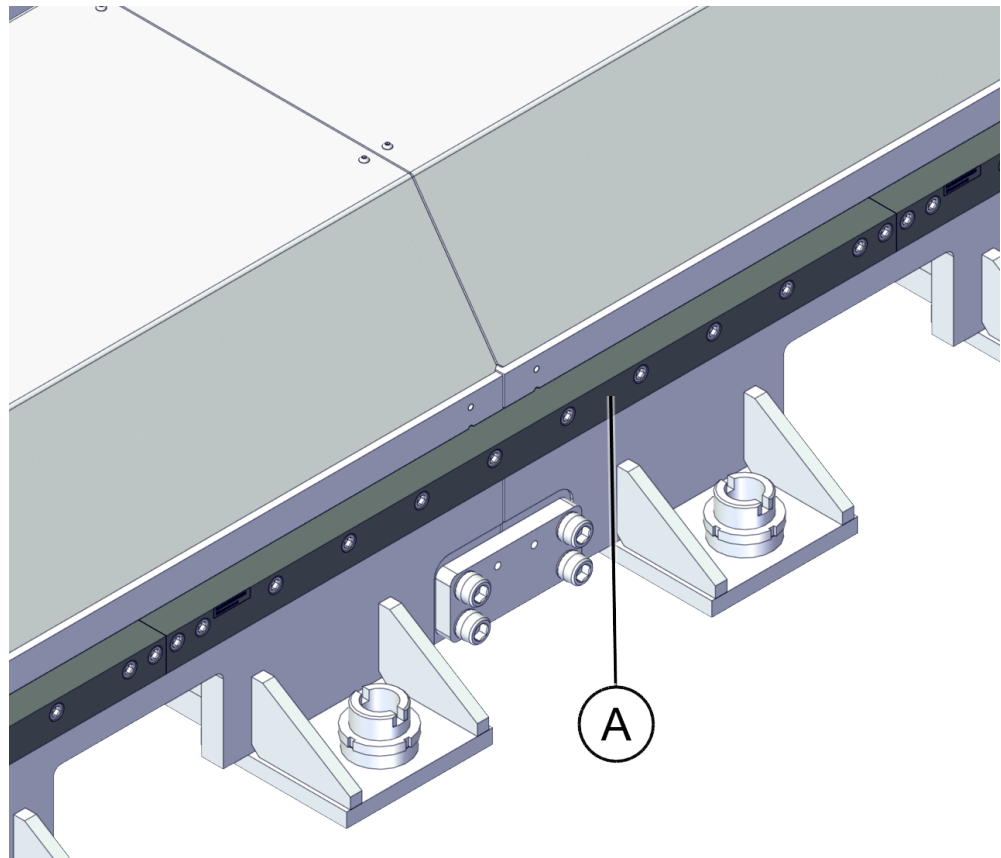
1.2 Spare parts - track parts

1.2.1 Track parts

Spare part list

	Spare part number	Description	Spare part level
A	3HKA00000190206	Retangular rail L=0.5M kit	
	3HKA00000190201	Retangular rail L=1M kit	
B	3HKA00000186246	Rack L=0.5M	
	3HKA00000186248	Rack L=1M	
C	3HKA00000186228	Bumper	
D	3HKA00000190639	Bumper kit	
	3HKA00000190648	Mirrored bumper kit	

Spare part illustration



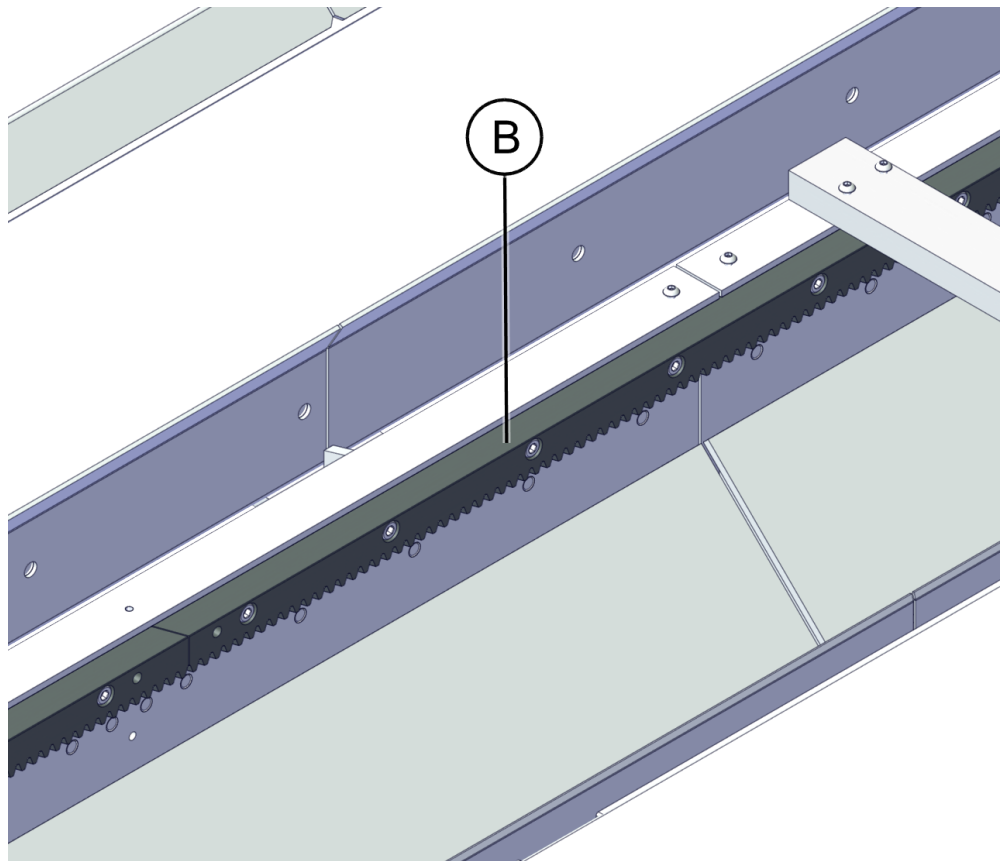
xx2200001288

Continues on next page

1 Spare parts and exploded views

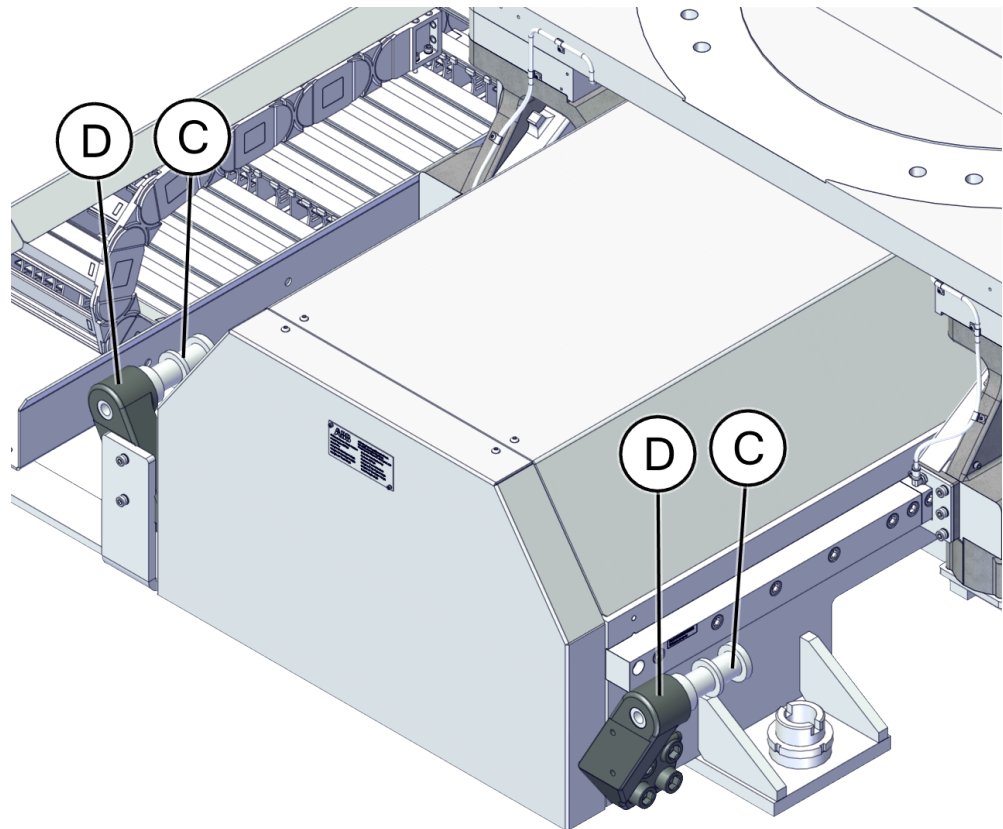
1.2.1 Track parts

Continued



xx2200001289

Continues on next page



xx2200001290

1 Spare parts and exploded views

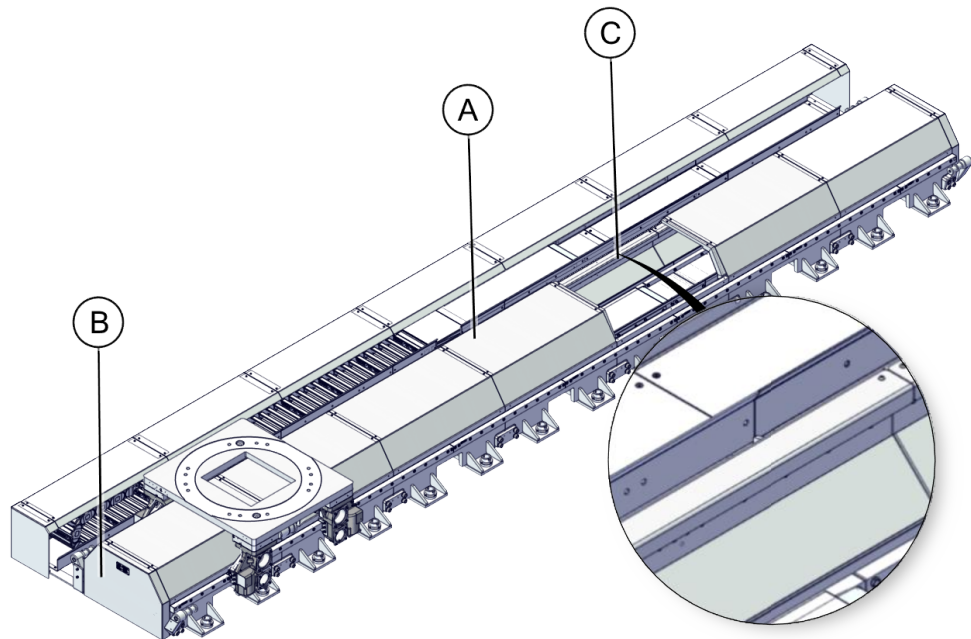
1.2.2 Cover parts

1.2.2 Cover parts

Spare part list

	Spare part number	Description	Spare part level
A	3HKA00000186234A	Track cover L=1M (graphite white color)	
	3HKA00000186234B	Track cover L=1M (orange color)	
	3HKA00000186240A	Track cover L=1.5M (graphite white color)	
	3HKA00000186240B	Track cover L=1.5M (orange color)	
B	3HKA00000186231A	Terminal cover (graphite white color)	
	3HKA00000186231B	Terminal cover (orange color)	
C	3HKA00000186236A	Rack cover L=1M (graphite white color)	
	3HKA00000186236B	Rack cover L=1M (orange color)	
	3HKA00000186243A	Rack cover L=1.5M (graphite white color)	
	3HKA00000186243B	Rack cover L=1.5M (orange color)	

Spare part illustration



xx2200000827

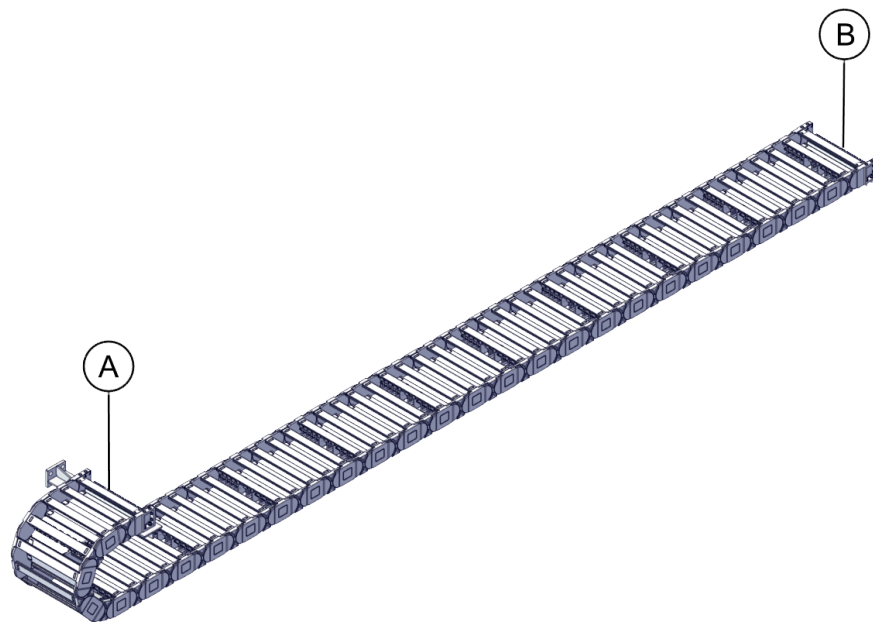
1.3 Spare parts - cable chain parts

1.3.1 Cable chain parts

Spare part list

	Spare part number	Description	Spare part level
A	3HKA00000191016	Movable chain end	
B	3HKA00000191015	Fixed chain end	
C	3HKA00000191011	Inner cable chain link	
D	3HKA00000191012	Outer cable chain link	
E	3HKA00000191013	Small vertical separator	
F	3HKA00000191014	Big vertical separator	

Spare part illustration



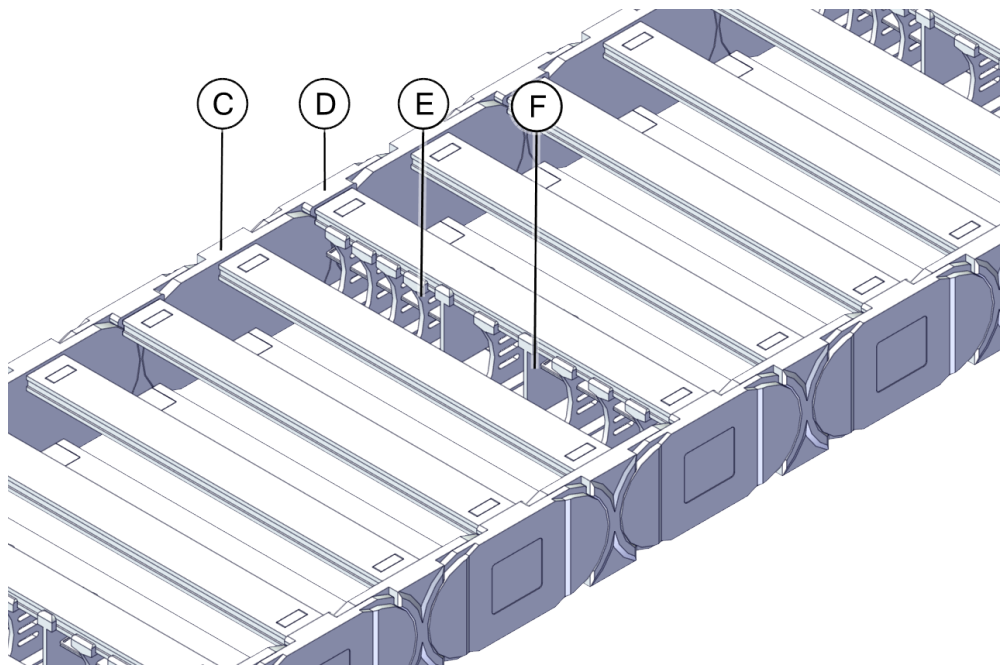
xx2200000840

Continues on next page

1 Spare parts and exploded views

1.3.1 Cable chain parts

Continued

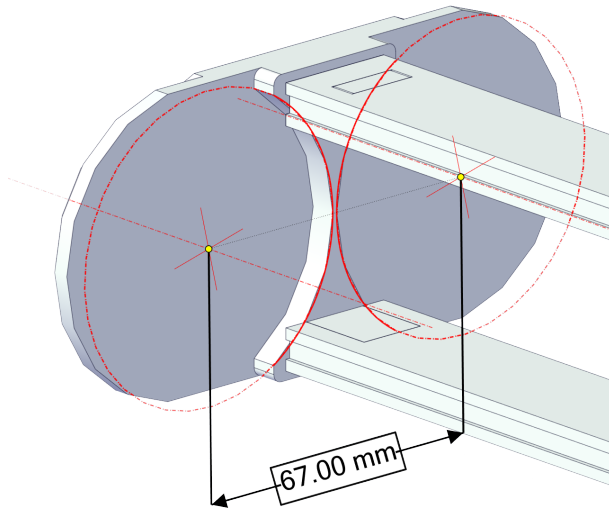


xx220000844



Tip

The pinch of each chain link is 67 mm. There are fifteen chain links for one meter cable chain.



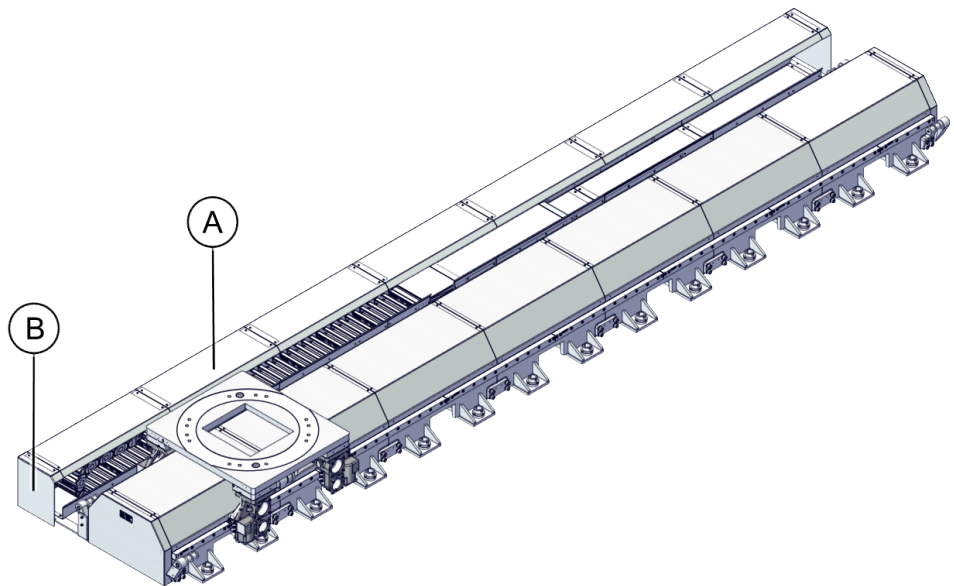
xx2200001284

1.3.2 Cable chain cover parts

Spare part list

	Spare part number	Description	Spare part level
A	3HKA00000189971A	External cable chain cover L=1M (graphite white color)	
	3HKA00000189971B	External cable chain cover L=1M (orange color)	
	3HKA00000189972A	External cable chain cover L=1.5M (graphite white color)	
	3HKA00000189972B	External cable chain cover L=1.5M (orange color)	
B	3HKA00000189973A	External cable chain terminal cover (graphite white color)	
	3HKA00000189973B	External cable chain terminal cover (orange color)	
-	3HKA00000189974A	Mirrored external cable chain terminal cover (graphite white color)	
	3HKA00000189974B	Mirrored external cable chain terminal cover (orange color)	

Spare part illustration



xx2200000828

1 Spare parts and exploded views

1.4.1 Reducer uninstall tool unit

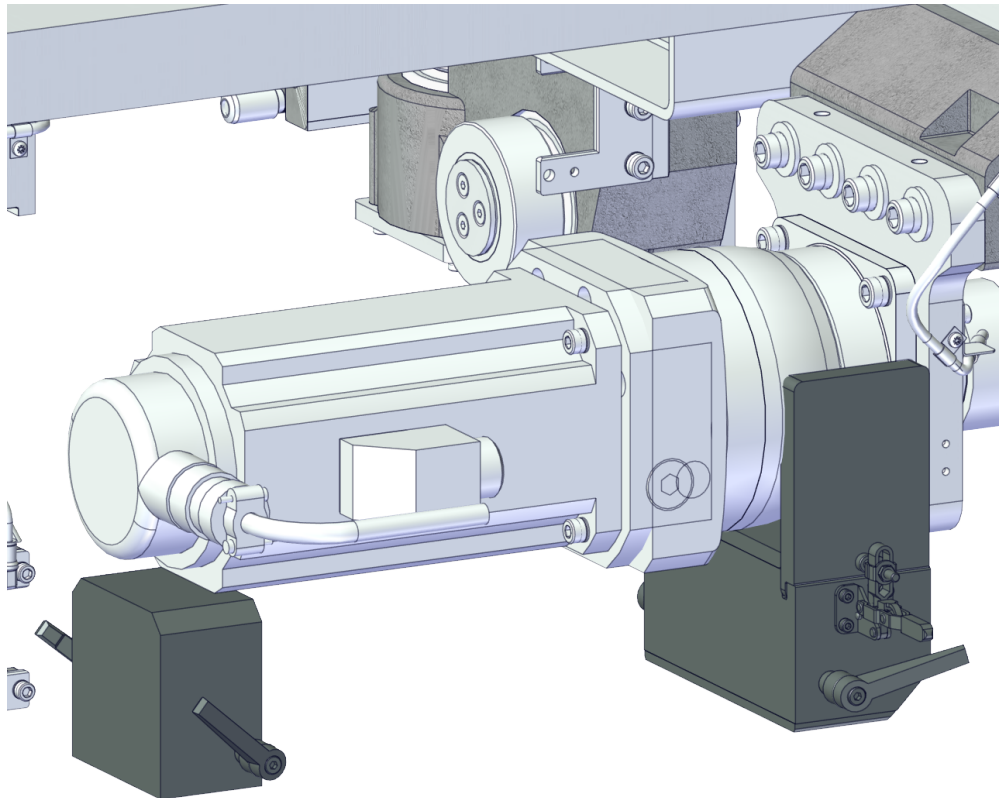
1.4 Spare parts - tool parts

1.4.1 Reducer uninstall tool unit

Spare part list

	Spare part number	Description	Spare part level
-	3HKA00000192850	Reducer uninstall tool unit	

Spare part illustration



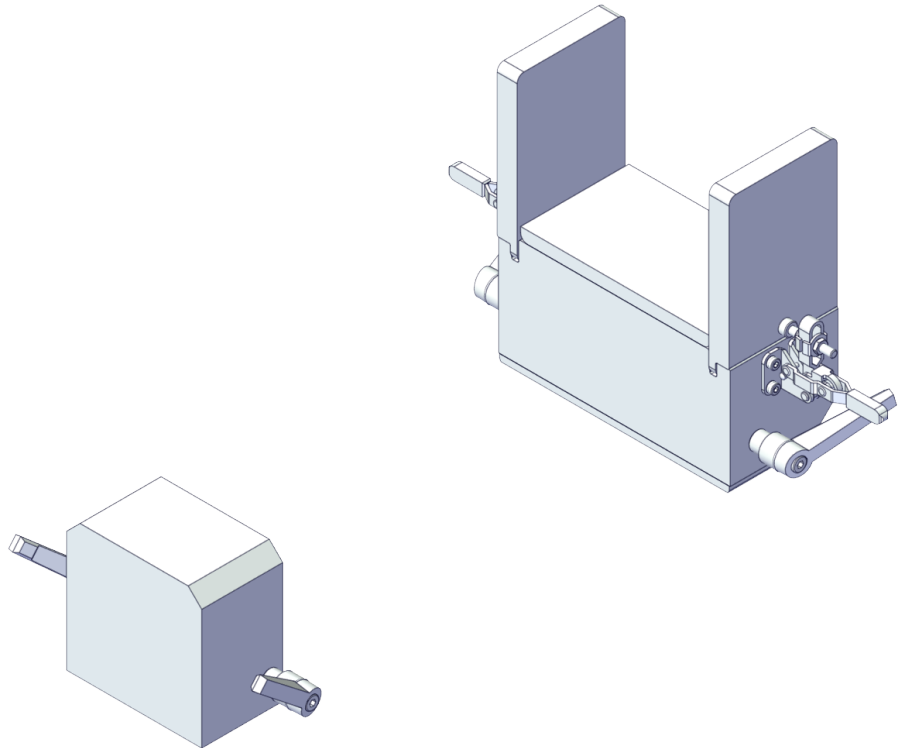
xx2200001165

Continues on next page

1 Spare parts and exploded views

1.4.1 Reducer uninstal tool unit

Continued



xx2200001166

1 Spare parts and exploded views

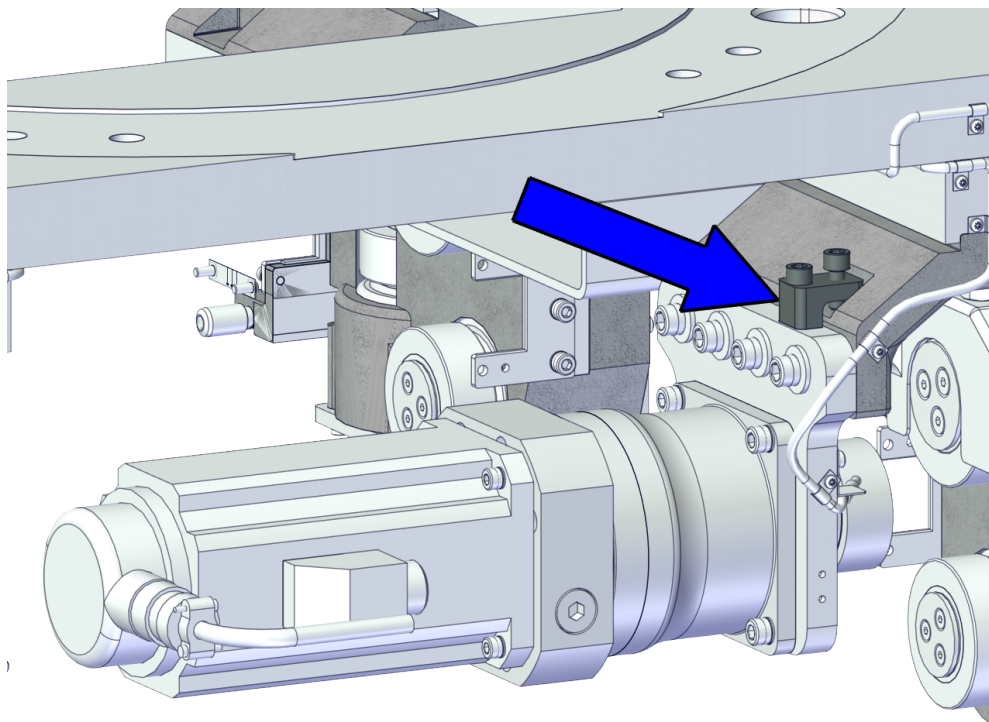
1.4.2 Reducer backlash adjust tool

1.4.2 Reducer backlash adjust tool

Spare part list

	Spare part number	Description	Spare part level
-	3HKA00000189964	Reducer backlash adjust tool	

Spare part illustration



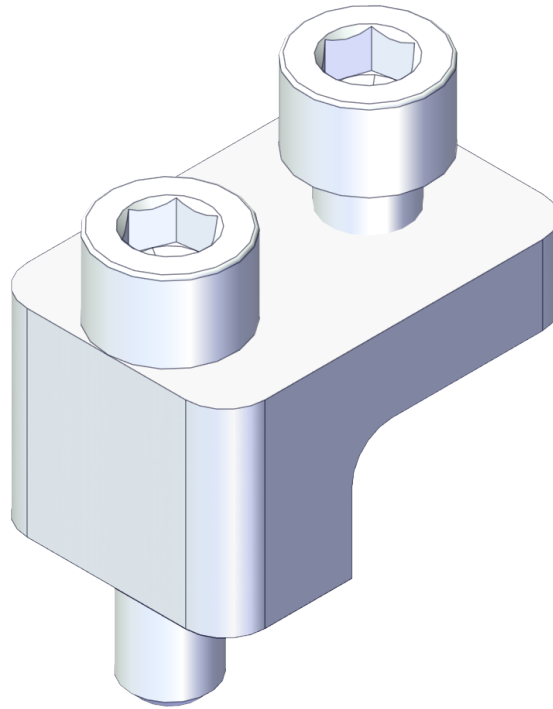
xx2200001167

Continues on next page

1 Spare parts and exploded views

1.4.2 Reducer backlash adjust tool

Continued



xx2200001168

1 Spare parts and exploded views

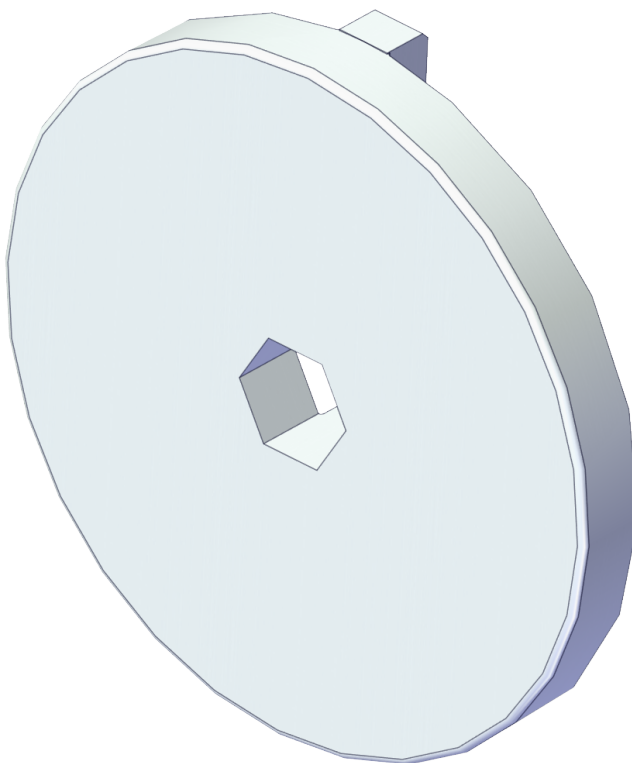
1.4.3 Cam roller adjust tool

1.4.3 Cam roller adjust tool

Spare part list

	Spare part number	Description	Spare part level
-	3HKA00000189966	Cam roller adjust tool	

Spare part illustration



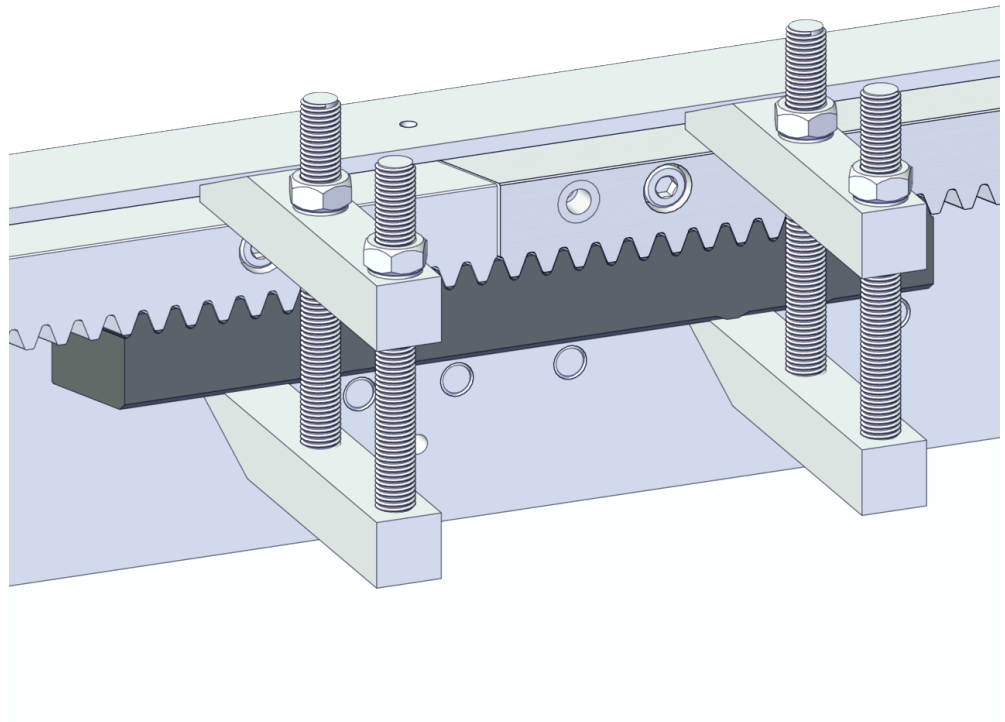
xx2200001169

1.4.4 Rack mounting block

Spare part list

	Spare part number	Description	Spare part level
-	3HAWL000011	Rack mounting block	

Spare part illustration



xx2200001170

1 Spare parts and exploded views

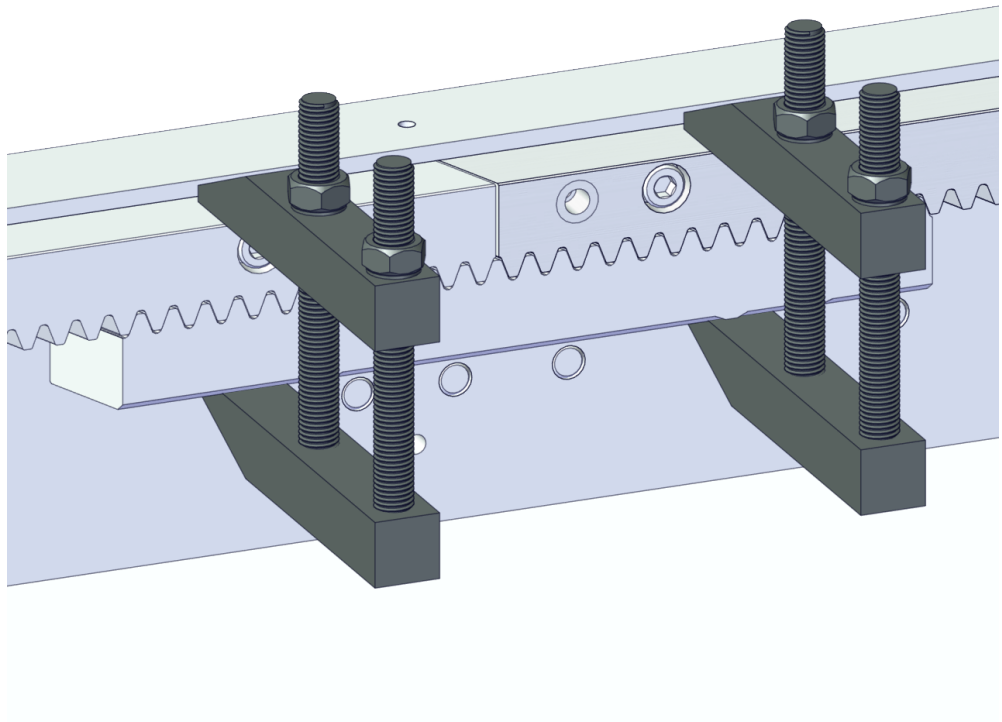
1.4.5 Rack clamps

1.4.5 Rack clamps

Spare part list

	Spare part number	Description	Spare part level
-	3HAW107700357	Rack clamps	

Spare part illustration



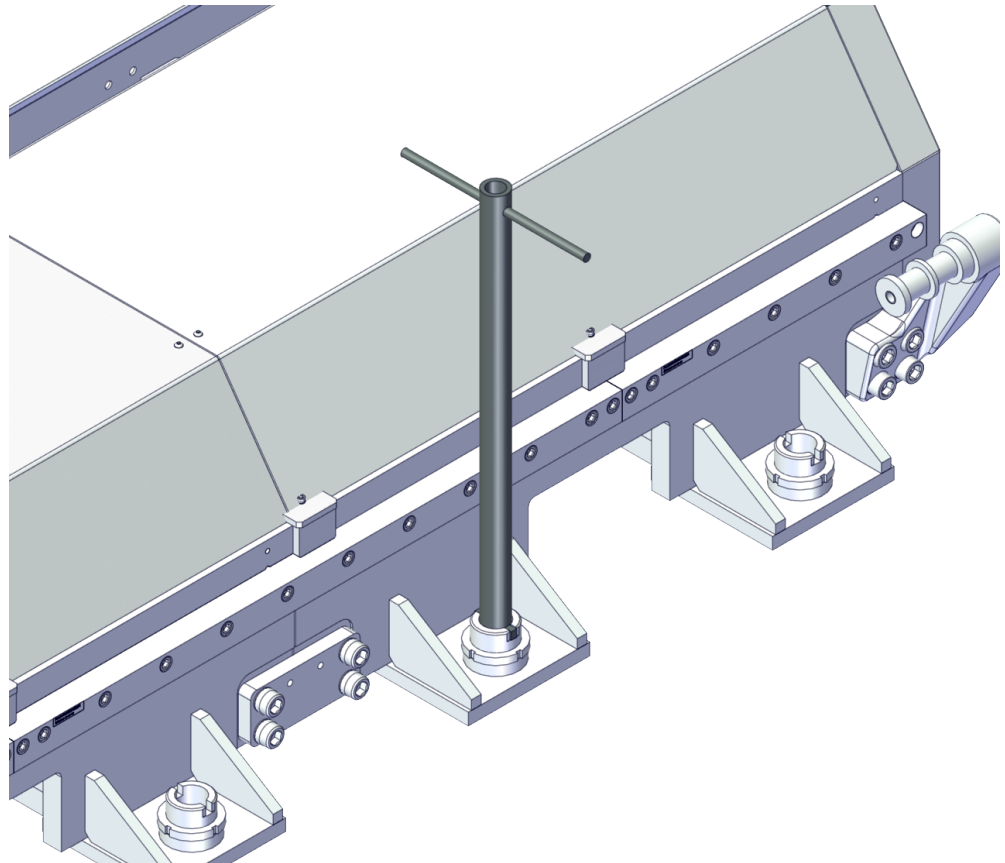
xx2200001171

1.4.6 Levelling tool

Spare part list

	Spare part number	Description	Spare part level
-	3HAW107700360	Levelling tool	

Spare part illustration



xx2200001172

1 Spare parts and exploded views

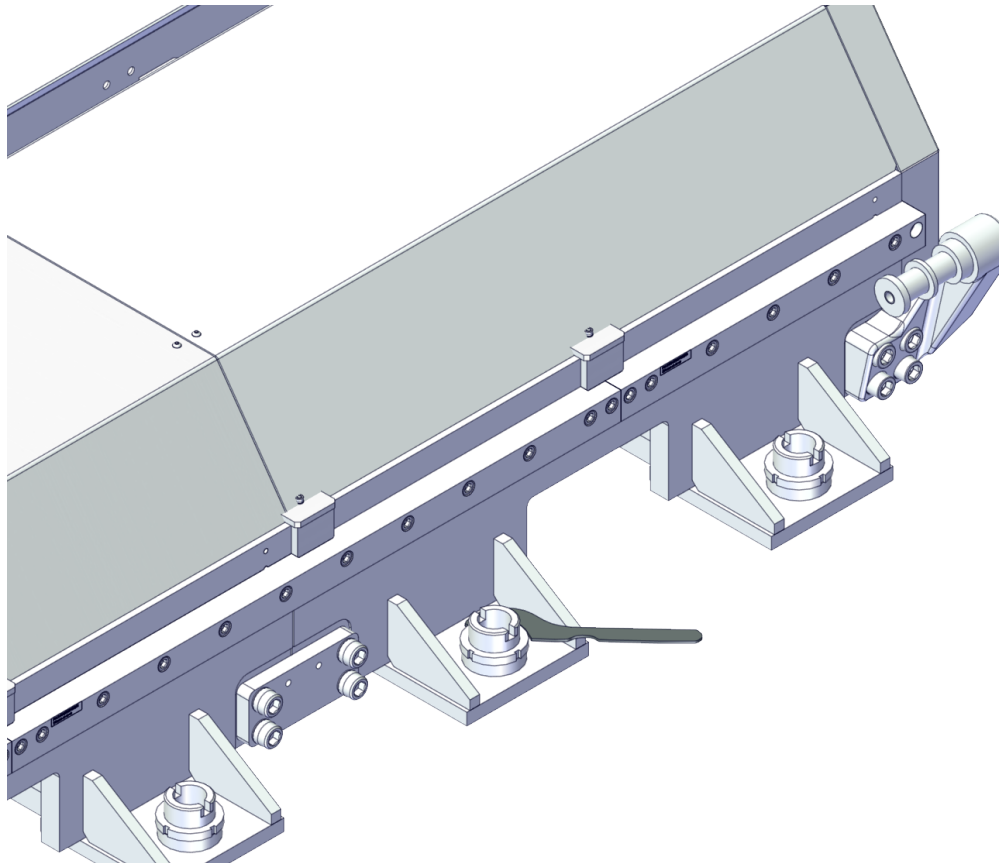
1.4.7 Tool for levelling screw nut tightening

1.4.7 Tool for levelling screw nut tightening

Spare part list

	Spare part number	Description	Spare part level
-	3HAW060012015	Tool for levelling screw nut tightening	

Spare part illustration



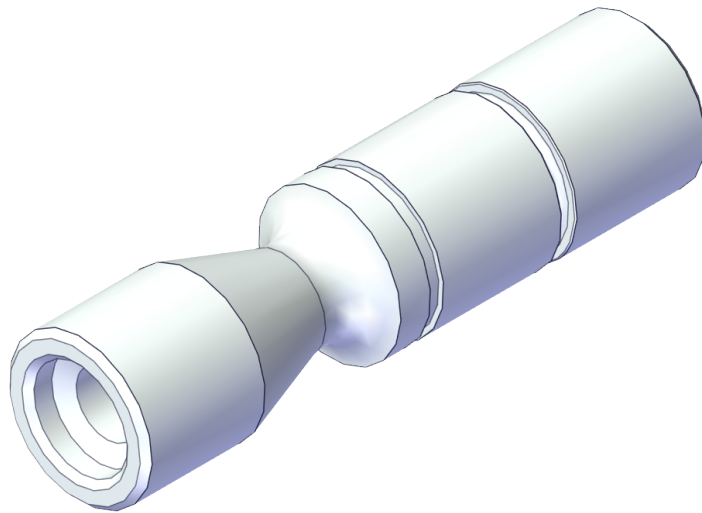
xx2200001189

1.4.8 Calibration tool 12 mm

Spare part list

	Spare part number	Description	Spare part level
-	3HAC055412-001	Calibration tool 12 mm	

Spare part illustration



xx2200001173

1 Spare parts and exploded views

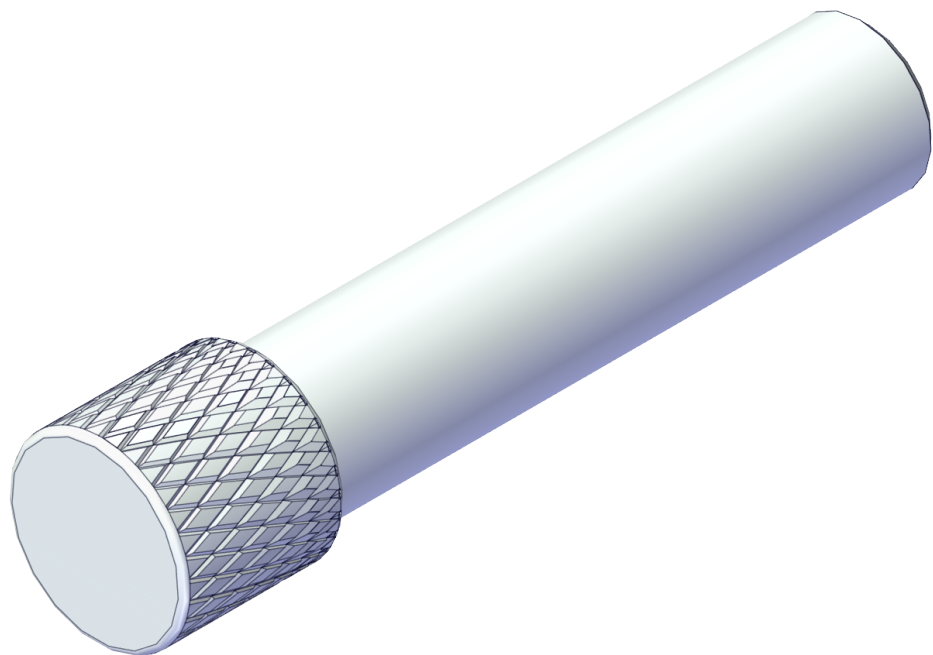
1.4.9 Calibration pin 12 mm

1.4.9 Calibration pin 12 mm

Spare part list

	Spare part number	Description	Spare part level
-	3HKA00000190563	Calibration pin 12 mm	

Spare part illustration



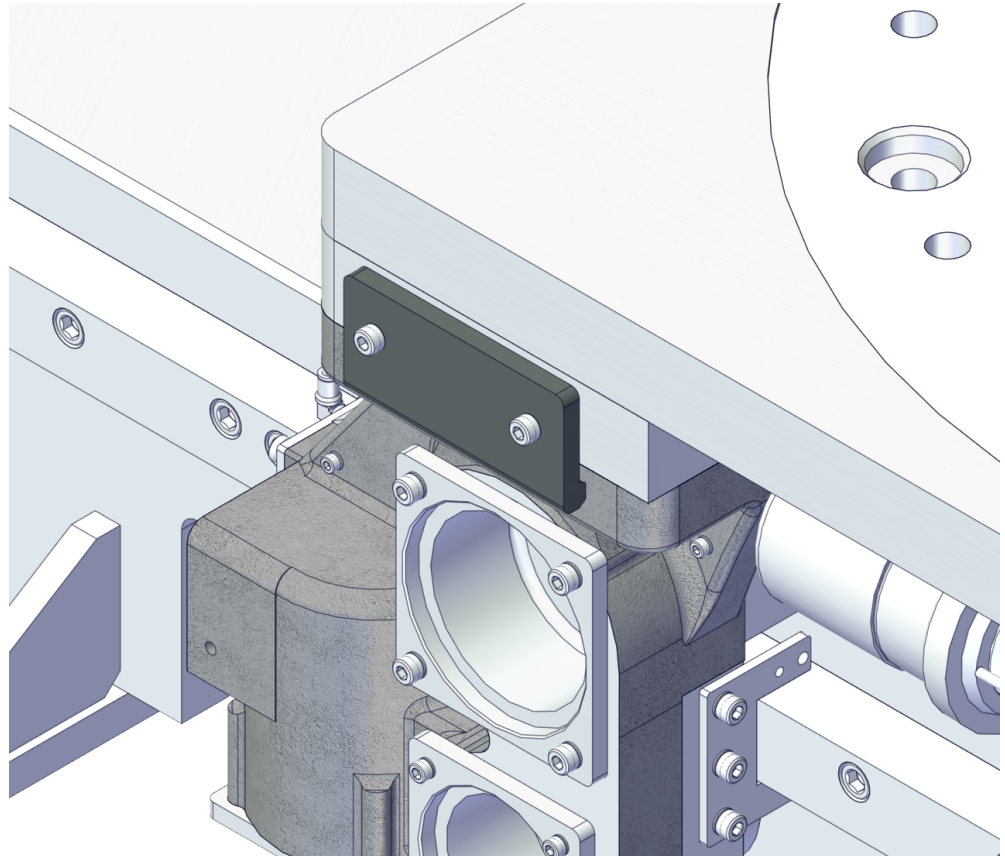
xx2200001174

1.4.10 Roller support block

Spare part list

	Spare part number	Description	Spare part level
-	3HKA00000186540	Roller support block	

Spare part illustration



xx2200001191

1 Spare parts and exploded views

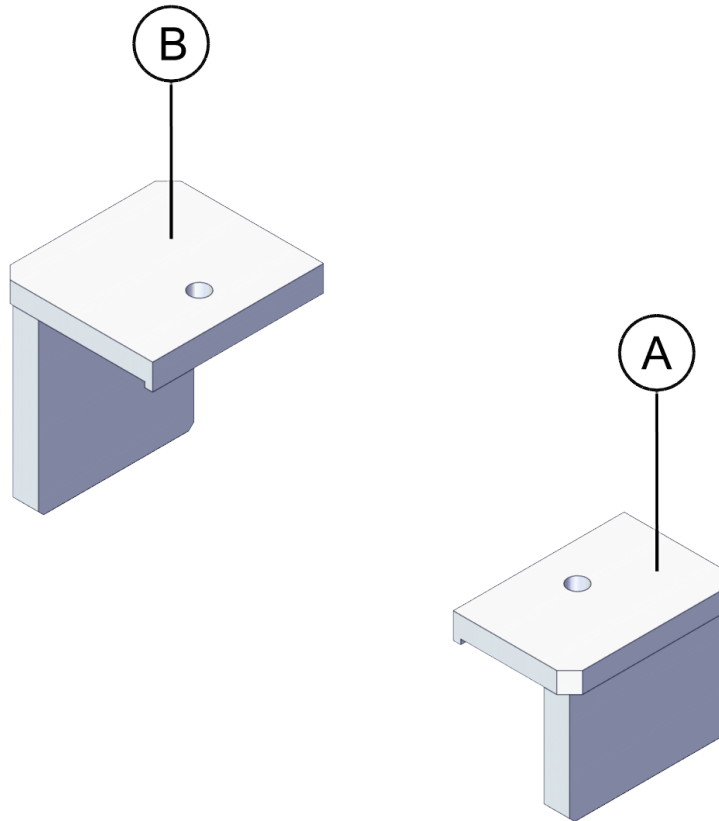
1.4.11 Rail tool

1.4.11 Rail tool

Spare part list

	Spare part number	Description	Spare part level
-	3HKA00000189982	Rail tool	
-	3HKA00000189983	Rail tool	

Spare part illustration



xx2200001179

1.5 Spare parts - electrical parts

Cable lengths

Flexible cables are mounted in the cable chain of the track motion. The tables show the cable lengths required for different connections with different travel lengths.

The cables are divided into following tables:

- IRB Power cables: handles power supply to the motors of the robot.
- IRT Power cables: handles power supply to the motor of the track motion.
- IRB/IRT Signal cables: handles feedback from the serial measurement board.
- Position switch cables: handles supply to and feedback from position switches, if any.
- Customer cables: handles communication with equipment fitted on robot.

Continues on next page

1 Spare parts and exploded views

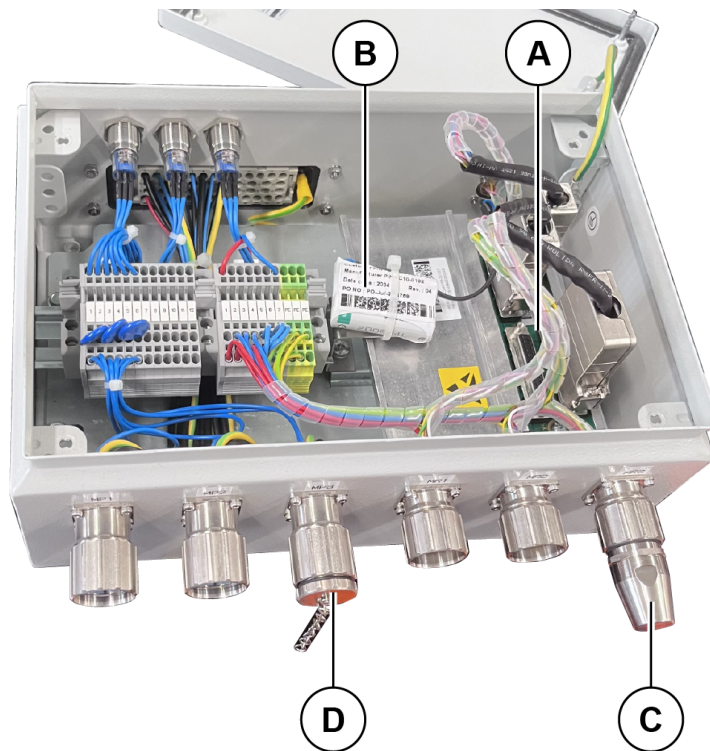
1.5.1 Spare parts - SMB boxes

1.5.1 Spare parts - SMB boxes

SMB parts

	Spare part number	Description	Track Motor	IRB 7600	IRB 6700	IRB 6660	IRB 6650S	IRB 6620	IRB 760	IRB 660	IRB 460	IRB 4600	IRB 4400
A	3HAC044168-001	SMB Board Card	X	X	X	X	X	X	X	X	X	X	X
B	3HAC044075-001	SMB Battery	X	X	X	X	X	X	X	X	X	X	X
C	3HAW050008607	PTC Shunts	X	X	X	X	X	X	X	X	X	X	X
D	3HAWL000060	SMB Box Power Connector Block Cover	X	X	X	X	X	X	X	X	X	X	X
-	3HAW050008604	SMB Box	X	X	X	X	X	X	X	X	X	X	X
	3HAW050008605	SMB Box	X	X	X	X	X	X	X	X	X	X	X
	3HAW050008651	SMB Box	X	X	X	X	X	X	X	X	X	X	X

Spare part illustration



xx2200001162

1.5.2 Spare parts - Motor cables

Power cable - static

	Spare part number	Description	Track Motor	IRB 7600	IRB 6700	IRB 6660	IRB 6650S	IRB 6620	IRB 760	IRB 660	IRB 460	IRB 4600	IRB 4400
A	3HAW050008635-007	1 Motor Static XP7 M2008 (No SMB) 7 m m	X										
	3HAW050008635-015	1 Motor Static XP7 M2008 (No SMB) 15 m m	X										
	3HAW050008635-022	1 Motor Static XP7 M2008 (No SMB) 22 m m	X										
B	3HAW050008613-007	1 Motors Static XP7 400-600V M2008 (With SMB) 7 m	X										
	3HAW050008613-015	1 Motors Static XP7 400-600V M2008 (With SMB) 15 m	X										
	3HAW050008613-022	1 Motors Static XP7 400-600V M2008 (With SMB) 22 m	X										
C	3HAW050008614-007	3 Motors Static XP7 400-600V M2008 (With SMB) 7 m	X										
	3HAW050008614-015	3 Motors Static XP7 400-600V M2008 (With SMB) 15 m	X										
	3HAW050008614-022	3 Motors Static XP7 400-600V M2008 (With SMB) 22 m	X										
D	3HAW050008615-007	6 Motors Static XP7 400-600V M2008 (With SMB) 7 m	X										
	3HAW050008615-015	6 Motors Static XP7 400-600V M2008 (With SMB) 15 m	X										
	3HAW050008615-022	6 Motors Static XP7 400-600V M2008 (With SMB) 22 m	X										

Continues on next page

1 Spare parts and exploded views

1.5.2 Spare parts - Motor cables

Continued

	Spare part number	Description	Track Motor	IRB 7600	IRB 6700	IRB 6660	IRB 6650S	IRB 6620	IRB 760	IRB 660	IRB 460	IRB 4600	IRB 4400
E	3HAW050008624-005	1 Motor Static Extension M2008 5 m	X										
	3HAW050008624-010	1 Motor Static Extension M2008 10 m	X										
	3HAW050008624-015	1 Motor Static Extension M2008 15 m	X										



Note

Riser equipped mirrored or double track motions for IRB 6700 and IRB 7600 require extra cable length of 1 m in the fixed end to achieve a recommended bending radius.

Start with choosing a cable length based on travel length, then order the cable that is 1 m longer.

Power cable - Flexible

	Spare part number	Description	Track Motor	IRB 7600	IRB 6700	IRB 6660	IRB 6650S	IRB 6620	IRB 760	IRB 660	IRB 460	IRB 4600	IRB 4400
A	3HAW050008608-006	1 Motor Movement Track M2008 -6m	X										
	3HAW050008608-009	1 Motor Movement Track M2008 -9m	X										
	3HAW050008608-013	1 Motor Movement Track M2008 -13m	X										
	3HAW050008608-023	1 Motor Movement Track M2008 -23m	X										

Continues on next page

1 Spare parts and exploded views

1.5.2 Spare parts - Motor cables

Continued

	Spare part number	Description	Track Motor	IRB 7600	IRB 6700	IRB 6660	IRB 6650S	IRB 6620	IRB 760	IRB 660	IRB 460	IRB 4600	IRB 4400
B	3HAW050008620-008	IRB7600 movement power cable -8m		X	X	X	X	X	X	X	X	X	
	3HAW050008620-011	IRB7600 movement power cable -11m		X	X	X	X	X	X	X	X	X	
	3HAW050008620-015	IRB7600 movement power cable -15m		X	X	X	X	X	X	X	X	X	
	3HAW050008620-025	IRB7600 movement power cable -25m		X	X	X	X	X	X	X	X	X	
C	3HAW050008622-008	IRB4400 movement power cable -8m											X
	3HAW050008622-011	IRB4400 movement power cable -11m											X
	3HAW050008622-015	IRB4400 movement power cable -15m											X
	3HAW050008622-025	IRB4400 movement power cable -25m											X



Note

Riser equipped mirrored or double track motions for IRB 6700 and IRB 7600 require extra cable length of 1 m in the fixed end to achieve a recommended bending radius.

Start with choosing a cable length based on travel length, then order the cable that is 1 m longer.

Resolver cable - static

	Spare part number	Description	Track Motor	IRB 7600	IRB 6700	IRB 6660	IRB 6650S	IRB 6620	IRB 760	IRB 660	IRB 460	IRB 4600	IRB 4400
A	3HAW050008637-003	1 Resolver Track M2008(No SMB Box) 3m	X										

Continues on next page

1 Spare parts and exploded views

1.5.2 Spare parts - Motor cables

Continued

	Spare part number	Description	Track Motor	IRB 7600	IRB 6700	IRB 6660	IRB 6650S	IRB 6620	IRB 760	IRB 660	IRB 460	IRB 4600	IRB 4400
B	3HAW050008612-007	6 axis resolver static cable XS41-2 7m	X										
	3HAW050008612-015	6 axis resolver static cable XS41-2 15m	X										
	3HAW050008612-022	6 axis resolver static cable XS41-2 22m	X										
C	3HAW050008625-005	1 Resolver Static Extension M2008 5 m	X										
	3HAW050008625-010	1 Resolver Static Extension M2008 10 m	X										
	3HAW050008625-015	1 Resolver Static Extension M2008 15 m	X										

Resolver cable - Flexible

	Spare part number	Description	Track Motor	IRB 7600	IRB 6700	IRB 6660	IRB 6650S	IRB 6620	IRB 760	IRB 660	IRB 460	IRB 4600	IRB 4400
A	3HAW050008609-006	1 Resolver Movement Track M2008 -6m	X										
	3HAW050008609-009	1 Resolver Movement Track M2008 -9m	X										
	3HAW050008609-013	1 Resolver Movement Track M2008 -13m	X										
	3HAW050008609-023	1 Resolver Movement Track M2008 -23m	X										

Continues on next page

1 Spare parts and exploded views

1.5.2 Spare parts - Motor cables

Continued

	Spare part number	Description	Track Motor	IRB 7600	IRB 6700	IRB 6660	IRB 6650S	IRB 6620	IRB 760	IRB 660	IRB 460	IRB 4600	IRB 4400
B	3HEA802409-003	IRB 4400/ 66xx/ 760/ 7600 movement resolver - 8m		X		X	X	X	X	X			X
	3HEA802409-006	IRB 4400/ 66xx/ 760/ 7600 movement resolver - 11m		X		X	X	X	X	X			X
	3HEA802409-010	IRB 4400/ 66xx/ 760/ 7600 movement resolver - 15m		X		X	X	X	X	X			X
	3HEA802409-018	IRB 4400/ 66xx/ 760/ 7600 movement resolver - 25m		X		X	X	X	X	X			X
C	3HAC029834-003	Robot IRB 460/4600/6700 movement resolver -8m			X						X	X	
	3HAC029834-006	Robot IRB 460/4600/6700 movement resolver -11m			X						X	X	
	3HAC029834-010	Robot IRB 460/4600/6700 movement resolver -15m			X						X	X	
	3HAC029834-018	Robot IRB 460/4600/6700 movement resolver -25m			X						X	X	

1 Spare parts and exploded views

1.5.3 Spare parts - Customer cables

1.5.3 Spare parts - Customer cables

CP/CS

	Spare part number	Description	Track Motor	IRB 7600	IRB 6700	IRB 6660	IRB 6650S	IRB 6620	IRB 760	IRB 660	IRB 460	IRB 4600	IRB 4400
A	3HEA801277-004	Robot movement CP/CS Parallel -8m	X	X	X	X	X	X				X	
	3HEA801277-007	Robot movement CP/CS Parallel -11m	X	X	X	X	X	X				X	
	3HEA801277-012	Robot movement CP/CS Parallel -15m	X	X	X	X	X	X				X	
	3HEA801277-016	Robot movement CP/CS Parallel -25m	X	X	X	X	X	X				X	
B	3HEA801279-004	Robot movement CP/CS Devicenet -8m		X	X	X	X	X				X	
	3HEA801279-007	Robot movement CP/CS Devicenet -11m		X	X	X	X	X				X	
	3HEA801279-012	Robot movement CP/CS Devicenet -15m		X	X	X	X	X				X	
	3HEA801279-015	Robot movement CP/CS Devicenet -30m		X	X	X	X	X				X	
C	3HXD1296-80	CP/CS Cable for IRB 4400 -8m											X
	3HXD1296-130	CP/CS Cable for IRB 4400 -13m											X
	3HXD1296-150	CP/CS Cable for IRB 4400 -15m											X
D	3HAC032951-003	Robot movement CP/CS Profinet -8m		X	X	X	X	X				X	
	3HAC032951-006	Robot movement CP/CS Profinet -11m		X	X	X	X	X				X	
	3HAC032951-010	Robot movement CP/CS Profinet -15m		X	X	X	X	X				X	
	3HAC032951-020	Robot movement CP/CS Profinet -25m		X	X	X	X	X				X	

Continues on next page

1 Spare parts and exploded views

1.5.3 Spare parts - Customer cables

Continued

Fieldbus cables 1

	Spare part number	Description	Track Motor	IRB 7600	IRB 6700	IRB 6660	IRB 6650S	IRB 6620	IRB 760	IRB 660	IRB 460	IRB 4600	IRB 4400
A	3HAC032951-003	Robot movement CP/CS Profinet -8m	X										
	3HAC032951-006	Robot movement CP/CS Profinet -11m	X										
	3HAC032951-010	Robot movement CP/CS Profinet -15m	X										
	3HAC032951-020	Robot movement CP/CS Profinet -25m	X										

Extra-cable One Power Supply 24V

	Spare part number	Description	Track Motor	IRB 7600	IRB 6700	IRB 6660	IRB 6650S	IRB 6620	IRB 760	IRB 660	IRB 460	IRB 4600	IRB 4400
A	3HAW060011991-008	Movement cable,connect IO Mudules to plc power -8m	X										
	3HAW060011991-011	Movement cable,connect IO Mudules to plc power -11m	X										
	3HAW060011991-015	Movement cable,connect IO Mudules to plc power -15m	X										
	3HAW060011991-025	Movement cable,connect IO Mudules to plc power -25m	X										

Continues on next page

1 Spare parts and exploded views

1.5.3 Spare parts - Customer cables

Continued

Media hose

	Spare part number	Description	Track Motor	IRB 7600	IRB 6700	IRB 6660	IRB 6650S	IRB 6620	IRB 760	IRB 660	IRB 460	IRB 4600	IRB 4400	Spot Gun
A	3HAW050008638-008	Air Pipe DN12 - 8m												X
	3HAW050008638-011	Air Pipe DN12 - 11m												X
	3HAW050008638-015	Air Pipe DN12 - 15m												X
	3HAW050008638-025	Air Pipe DN12 - 25m												X
B	3HAW050008629-008	Green Air Pipe and Water Pipe (Green+Green+Red) -8m												X
	3HAW050008629-011	Green Air Pipe and Water Pipe (Green+Green+Red) -11m												X
	3HAW050008629-015	Green Air Pipe and Water Pipe (Green+Green+Red) -15m												X
	3HAW050008629-025	Green Air Pipe and Water Pipe (Green+Green+Red) -25m												X
C	3HAW060012115-008	Air Pipe or Water Pipe -8m												X
	3HAW060012115-011	Air Pipe or Water Pipe -11m												X
	3HAW060012115-015	Air Pipe or Water Pipe -15m												X
	3HAW060012115-025	Air Pipe or Water Pipe -25m												X
D	3HAW060012116-008	Air Pipe or Water Pipe -8m												X
	3HAW060012116-011	Air Pipe or Water Pipe -11m												X
	3HAW060012116-015	Air Pipe or Water Pipe -15m												X
	3HAW060012116-025	Air Pipe or Water Pipe -25m												X

Continues on next page

1 Spare parts and exploded views

1.5.3 Spare parts - Customer cables

Continued

Spot welding support

	Spare part number	Description	Track Motor	IRB 7600	IRB 6700	IRB 6660	IRB 6650S	IRB 6620	IRB 760	IRB 660	IRB 460	IRB 4600	IRB 4400	Spot Gun
A	3HAW050008628-008	Welding Power Track -8m												X
	3HAW050008628-011	Welding Power Track -11m												X
	3HAW050008628-015	Welding Power Track -15m												X
	3HAW050008628-025	Welding Power Track -25m												X
B	3HAW050008631-008	1 Motor Electrical Spot Gun M2008 -8m												X
	3HAW050008631-011	1 Motor Electrical Spot Gun M2008 -11m												X
	3HAW050008631-015	1 Motor Electrical Spot Gun M2008 -15m												X
	3HAW050008631-025	1 Motor Electrical Spot Gun M2008 -25m												X

1 Spare parts and exploded views

1.5.4 Spare parts - Lubrication cables

1.5.4 Spare parts - Lubrication cables

Power

	Spare part number	Description	Track Motor	IRB 7600	IRB 6700	IRB 6660	IRB 6650S	IRB 6620	IRB 760	IRB 660	IRB 460	IRB 4600	IRB 4400
A	3HAWC116987	Power cables for Lubrication 10m	X										
	3HAWC116988	Power cables for Lubrication 15m	X										
	3HAW060012551	Power cables for Lubrication 25m	X										
B	3HKA00000190934	Power short cables for Lubrication 1.5m	X										

Sensor cables

	Spare part number	Description	Track Motor	IRB 7600	IRB 6700	IRB 6660	IRB 6650S	IRB 6620	IRB 760	IRB 660	IRB 460	IRB 4600	IRB 4400
A	3HKA00000190931-10	Signal cables for Lubrication check sensor - 10m	X										
	3HKA00000190931-15	Signal cables for Lubrication check sensor - 15m	X										
	3HKA00000190931-25	Signal cables for Lubrication check sensor - 25m	X										
B	3HKA00000190936	Signal short cables for Lubrication sensor check 1m	X										

1.5.5 Spare parts - Grounding cables

Grounding

	Spare part number	Description	Track Motor	IRB 7600	IRB 6700	IRB 6660	IRB 6650S	IRB 6620	IRB 760	IRB 660	IRB 460	IRB 4600	IRB 4400
A	3HAW050008644-008	Tooling PE cable -8m	X										
	3HAW050008644-011	Tooling PE cable -11m	X										
	3HAW050008644-015	Tooling PE cable -15m	X										
	3HAW050008644-025	Tooling PE cable -25m	X										



ABB AB

Robotics & Discrete Automation

S-721 68 VÄSTERÅS, Sweden

Telephone +46 (0) 21 344 400

ABB AS

Robotics & Discrete Automation

Nordlysvegen 7, N-4340 BRYNE, Norway

Box 265, N-4349 BRYNE, Norway

Telephone: +47 22 87 2000

ABB Engineering (Shanghai) Ltd.

Robotics & Discrete Automation

No. 4528 Kangxin Highway

PuDong New District

SHANGHAI 201319, China

Telephone: +86 21 6105 6666

ABB Inc.

Robotics & Discrete Automation

1250 Brown Road

Auburn Hills, MI 48326

USA

Telephone: +1 248 391 9000

abb.com/robotics